

UVC UP LIGHT

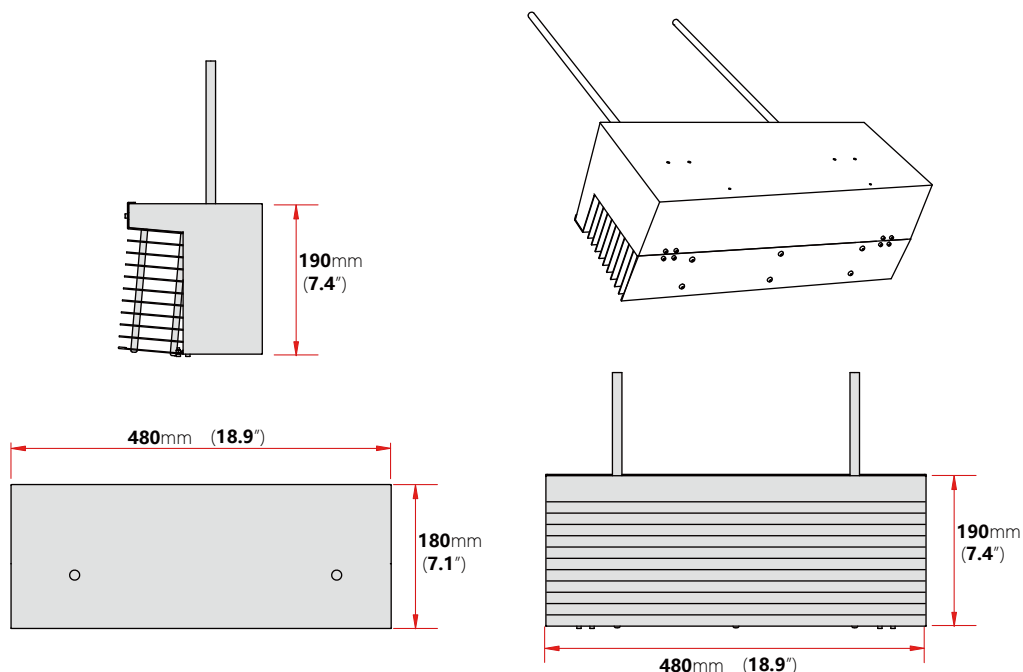
APPLICATION

- Hospital
- School
- Apartment
- Office
- Fitness room
- Restaurant
- Shopping Mall
- GYM



EPA NO.97623

DIMENSIONS & WEIGHT

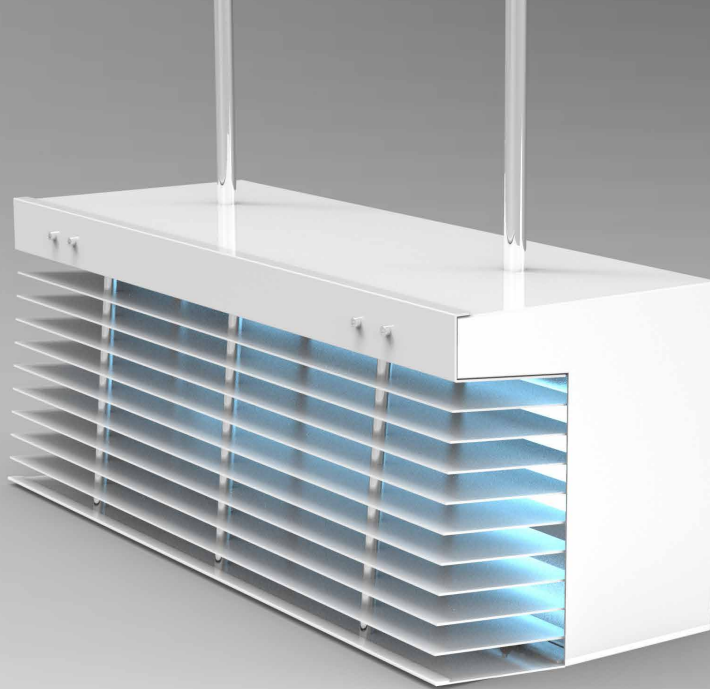


Jiaxing Shinetoo Lighting Co.,Ltd.

Add: No.258, Xingchang Road, Xincheng Town, Xiuzhou District, Jiaxing, Zhejiang, China 314015
Tel: +86-573-8350-0001 Fax: +86-573-8350-0005
Mobile: +86-138-0961-6723/+86-138-1878-3129
Email: Sales@stiedlights.com

Shinetoos Lighting USA LLC

Add: 1263B, 1265 Rand RD, Des Plaines, IL 60016
Ph: (224)567-8070 M: (847)899-1678
Email: Sales@stiedlights.com



UVC UP LIGHT

Lamp Technology: UV-C

Lamp Qty: 1 / 2

Dimensions: 480mm-W x 180mm-D x 190mm-H
18.9"-W x 7.1"-D x 7.4"-H

Weight: -

Voltage: 110-120V AC, 50/60Hz
220-240V AC, 50/60Hz

Total Watts: 45W / 90W

Single-lamp Watts: 36W

UV Output : 110 @ 254nm $\mu\text{W}/\text{cm}^2$ (@1m)

Single-lamp UV Output: 11W

UVC Lamp : 1 year warranty (8,000hours)

UV Wavelength: UV-C, 200nm - 280nm (254 nm peak)

Lamp Type: UVC Lamp

Lamp Base: -

Replacement Lamp: -

Power Factor: >0.9

Delay: 0 Seconds

Maximum Treatment Time: 24 Hours

Ambient Operating Temp: 26.7°C / 80°F

Materials: Aluminum

Mounting: Hanging

Ratings/Features

Short-wave Germicidal Light

kill 99% of viruses and other germs

Jiaxing Shinetoo Lighting Co.,Ltd.

Add: No.258, Xingchang Road, Xincheng Town, Xiuzhou District, Jiaxing, Zhejiang, China 314015
Tel : +86-573-8350-0001 Fax : +86-573-8350-0005
Mobile : +86-138-0961-6725/+86-138-1878-3129
Email: Sales@stledlights.com

Shinetoo Lighting USA LLC

Add: 12638, 1265 Rand RD, Des Plaines, IL 60016
Ph: (224)567-8070 M: (847)899-1678
Email: Sales@stledlights.com