

2ft × 2ft

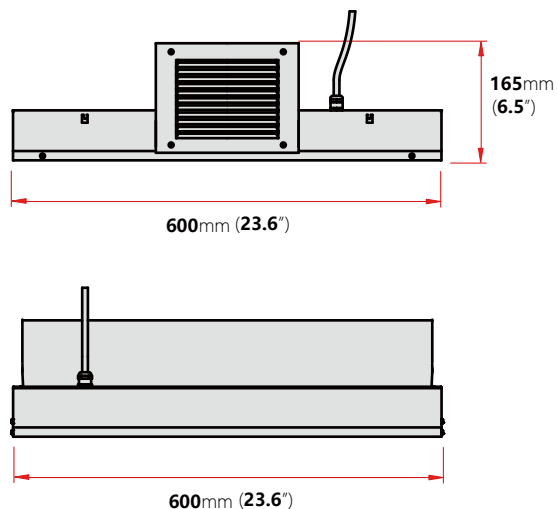
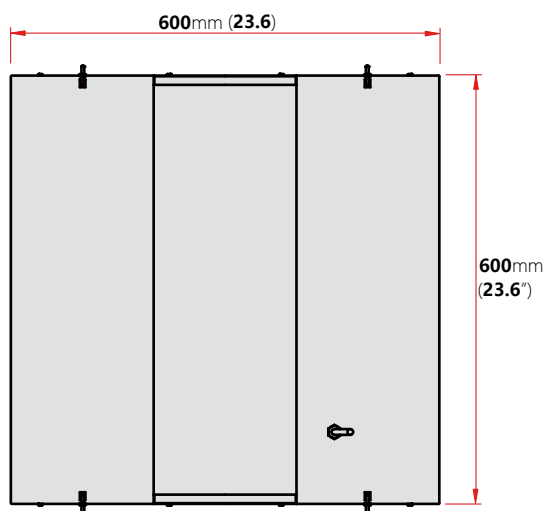
# Air Purifiers

## APPLICATION

- Hospital
- School
- Apartment
- Office
- Fitness room
- Restaurant
- Shopping Mall
- GYM



## DIMENSIONS & WEIGHT



### Jiaxing Shinetoo Lighting Co.,Ltd.

Add: No.258, Xingchang Road, Xincheng Town, Xiuzhou District, Jiaxing, Zhejiang, China 314015  
Tel: +86-573-8350-0001 Fax: +86-573-8350-0005  
Mobile: +86-138-0961-6723/+86-138-1878-3129  
Email: Sales@stedlights.com

### Shinetoos Lighting USA LLC

Add: 1263B, 1265 Rand RD, Des Plaines, IL 60016  
Ph: (224)567-8070 M: (847)899-1678  
Email: Sales@stedlights.com



## SPECIFICATION

Model	Nominal Model Capacity (cubic feet / minute)	Dimensions			Electrical Requirements* (amps)	Max. Room Size Treated at 3 Room Air Changes/Hour (cubic feet)	Max. Room Size Treated at 6 Room Air Changes/Hour (cubic feet)	Max. Treatment Capacity (cubic feet / hour)
		Length	Width	Height				
ST-UVC-AIR-18W-2FT	99	22.8"	22.8"	4.3"	2	1,900	950	5,225

### Jiaxing Shinetoo Lighting Co.,Ltd.

Add: No.258, Xingchang Road, Xincheng Town, Xiuzhou District, Jiaxing, Zhejiang, China 314015  
 Tel : +86-573-8350-0001 Fax : +86-573-8350-0005  
 Mobile : +86-138-0961-6725/+86-138-1878-3129  
 Email: Sales@stledlights.com

### Shinetoo Lighting USA LLC

Add: 12638, 1265 Rand RD, Des Plaines, IL 60016  
 Ph: (224)567-8070 M: (847)899-1678  
 Email: Sales@stledlights.com