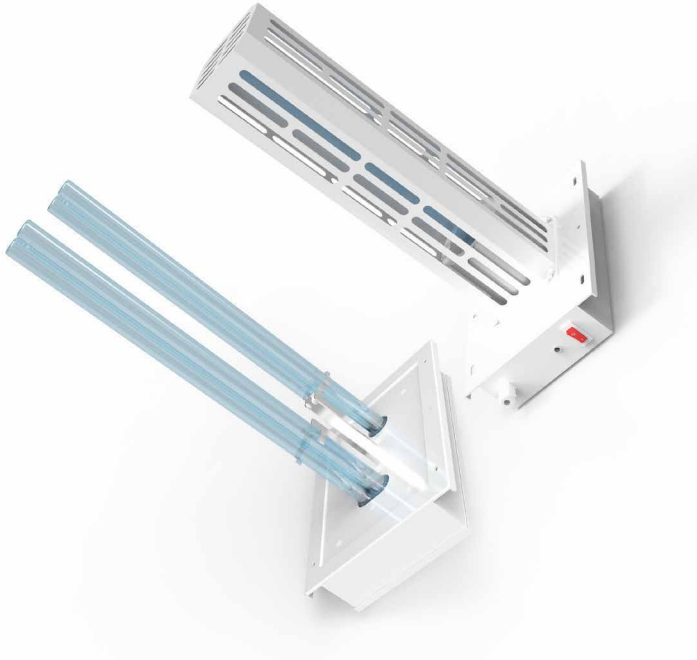




Sanitize without Chemicals



# UV-C FOR HVAC

## 36W / 72W

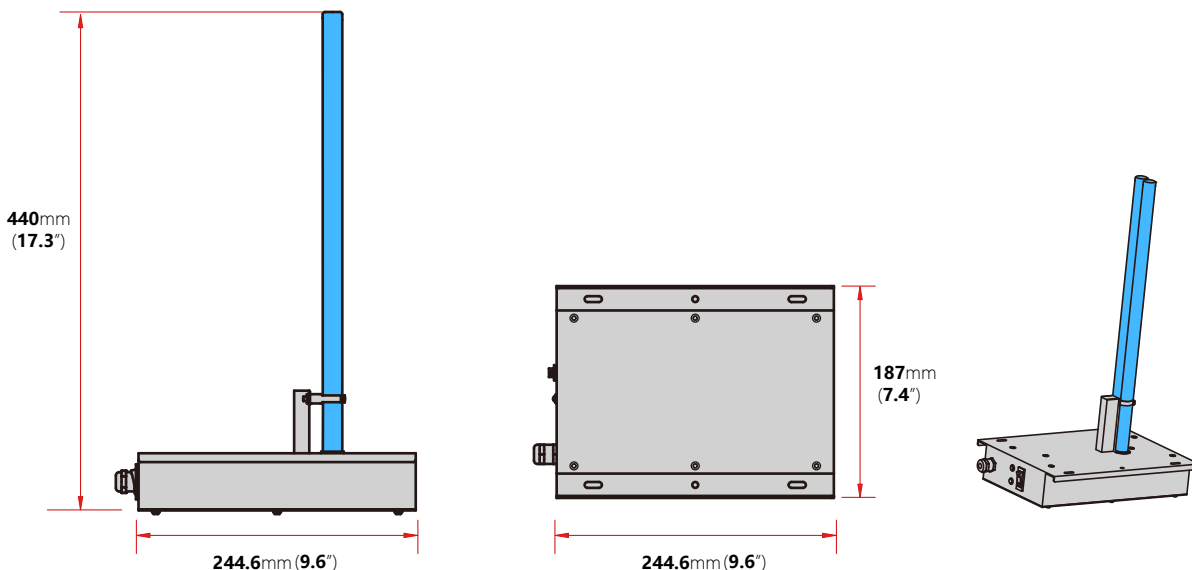
### APPLICATIONS

- Hospital
- School
- Apartment
- Office
- Fitness room
- Restaurant
- Shopping Mall
- GYM



### DIMENSIONS

#### 36W-Standard



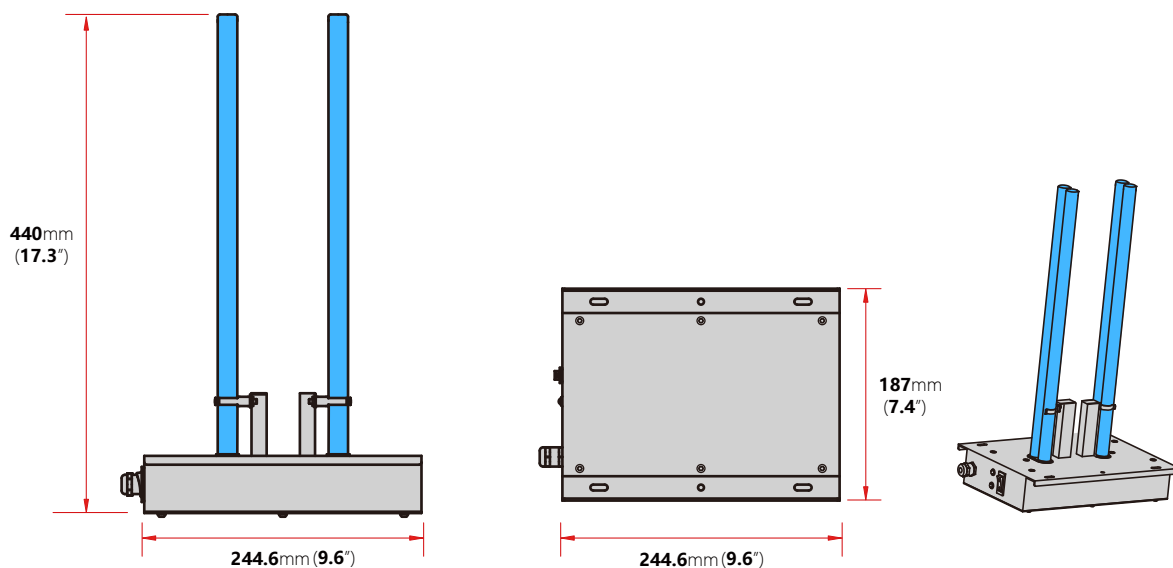
#### Shineto Lighting USA LLC

Add: 708-710 Armstrong Dr, Buffalo Grove, IL 60089  
 Ph: (224)567-8070 M:(847)899-1678  
 Email: Sales@shine2sportslighting.com

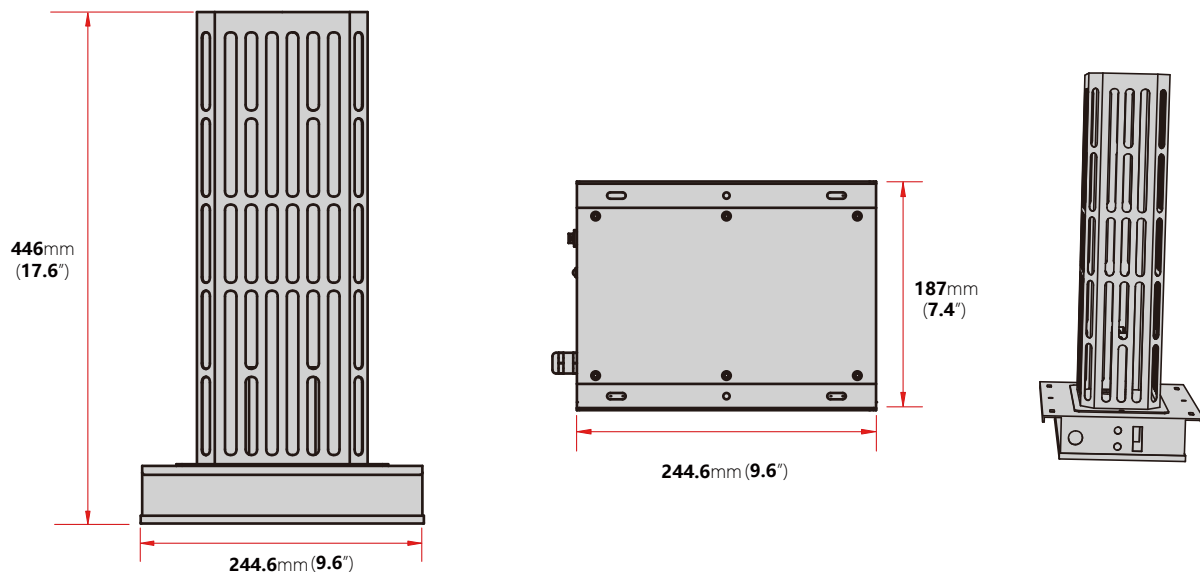
#### Jiaxing Shinetoo Lighting Co.,Ltd

Add: No.258, Xingchang Road, Xincheng Town, Xiuzhou District, Jiaxing, Zhejiang, China 314015  
 Tel: +86-573-8350-0001 Fax: +86-573-8350-0005  
 Mobile: +86-138-0961-6725/+86-138-1878-3129  
 Email: Sales@stledlights.com

## 72W-Standard



## Protective Cage-Optional(36W&72W)



### Shineto Lighting USA LLC

Add: 708-710 Armstrong Dr, Buffalo Grove, IL 60089  
Ph: (224)567-8070 M:(847)899-1678  
Email: Sales@shine2sportslighting.com

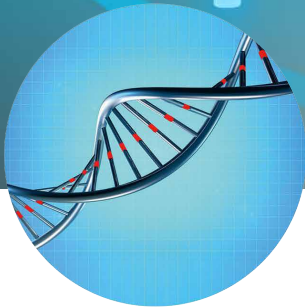
### Jiaxing Shinetoo Lighting Co.,Ltd

Add: No.258, Xingchang Road, Xincheng Town, Xiuzhou District, Jiaxing, Zhejiang, China 314015  
Tel: +86-573-8350-0001 Fax: +86-573-8350-0005  
Mobile: +86-138-0961-6725/+86-138-1878-3129  
Email: Sales@stledlights.com

# How it works ?

Clean Air out

Filter-Dirty Air in  
(Dust / Bacteria / Virus and More)



The powerful UV-C ray will inactivate the bacterial and viruses for the air in the duct.

## SPECIFICATIONS

Model Number	ST-UVC-36W-HVAC	ST-UVC-72W-HVAC
Watts	36W	72W
Lamp Source	254nm UV-C flourescent lamp (Philips / Osram)	
Lamp Qty	1 lamps	2 lamps
Dimensions	9.6"-L x 7.4"-W x 17.3"-H 244.6mm-L x 187mm-W x 440mm-H (Without Protective Cage)	9.6"-L x 7.4"-W x 17.6"-H 244.6mm-L x 187mm-W x 446mm-H (With Protective Cage)
Voltage	110-120V AC, 50/60Hz / 220-240V AC, 50/60Hz	
Single-lamp Watts	36W	
Total UV Watts	36W	72W
Total UV Irradiance	110 $\mu\text{W}/\text{cm}^2$ @ 1Meter	220 $\mu\text{W}/\text{cm}^2$ @ 1Meter
Single-lamp UV Output	12W	
Total UV Output	12W	24W
Lamp Lifespan	8,000hours	
Ballast	Electronic, PF>0.9	
Amps:	1.5A	3A
Ambient Operating Temp	26.7 C / 80°F	
Materials	304 Stainless Steel ( Standard ) / Galvanized Metal (Optional)	
Mounting	Partial internal / Air duct mount	

## Features

Short-wave Light  
Ozone & Chemical Free  
EPA Est. No. 97623-CHN-1

**NOTE: PLEASE FOLLOW THE SAFTY PRECAUTION BEFORE INSTALL / REPLACE THE UV-C LAMPS.**

Customized Services Availalbe

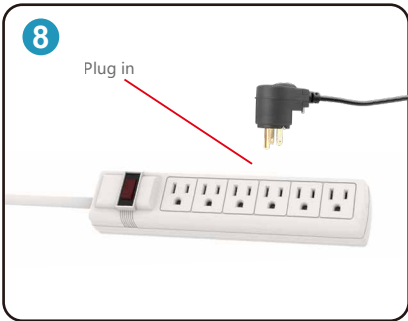
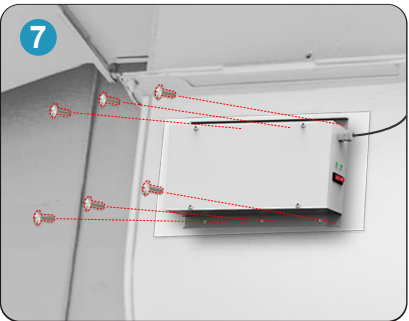
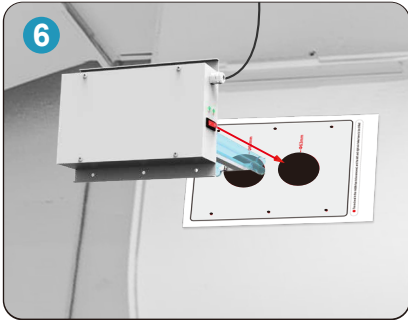
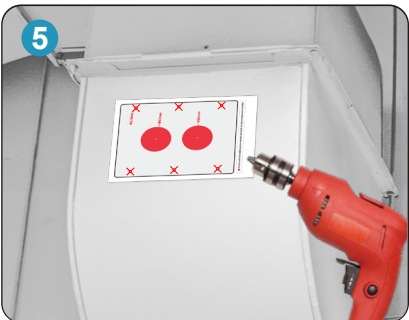
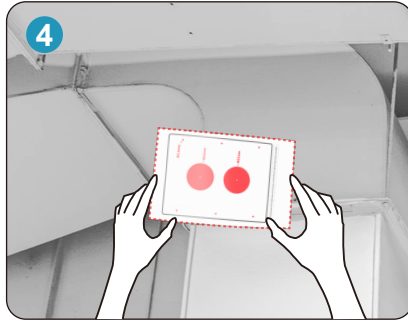
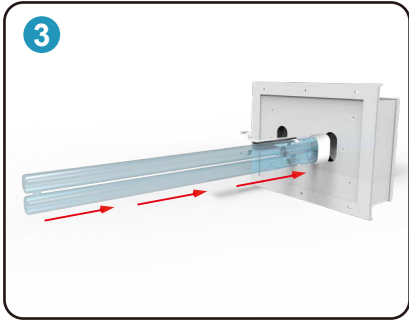
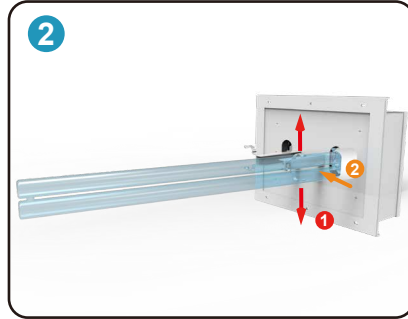
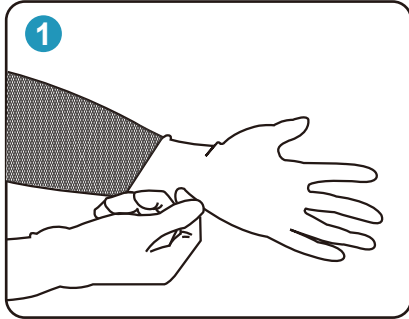
## Shineto Lighting USA LLC

Add: 708-710 Armstrong Dr, Buffalo Grove, IL 60089  
Ph: (224)567-8070 M:(847)899-1678  
Email:Sales@shine2sportslighting.com

## Jiaxing Shinetoo Lighting Co.,Ltd

Add:No.258, Xingchang Road, Xincheng Town, Xiuzhou District, Jiaxing, Zhejiang, China 314015  
Tel : +86-573-8350-0001 Fax : +86-573-8350-0005  
Mobile : +86-138-0961-6725/+86-138-1878-3129  
Email:Sales@stledlights.com

# INSTALLATION GUIDE



## Product Details

### Step 1

Put on gloves.

### Step 2

Open the clip and insert the UV-C lamp properly.

### Step 3

Push the UV-C lamp into the connector base.

### Step 4

Peel off the sticker and place it at the target location.

### Step 5

Drill holes as shown on the sticker.

### Step 6

Insert the UV-C lamp into the hole.

### Step 7

Fix the UV-C HVAC fixture with screws.

### Step 8

Connect power and turn on.

\*After sanitization is complete, wait at least 5 minutes before entering the area

\*Do not touch the UV-C lamp at all

## PACKAGE CONTENTS

