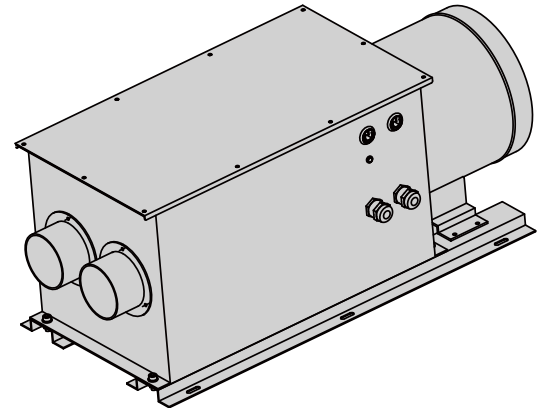
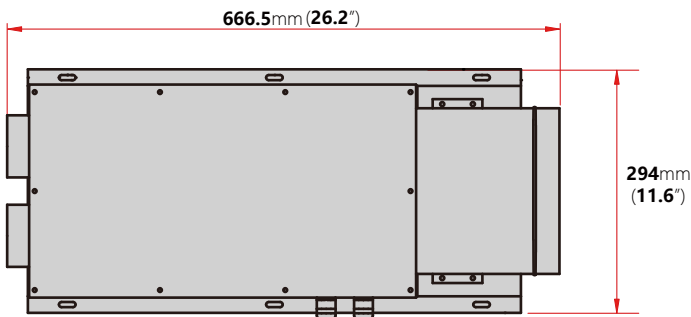
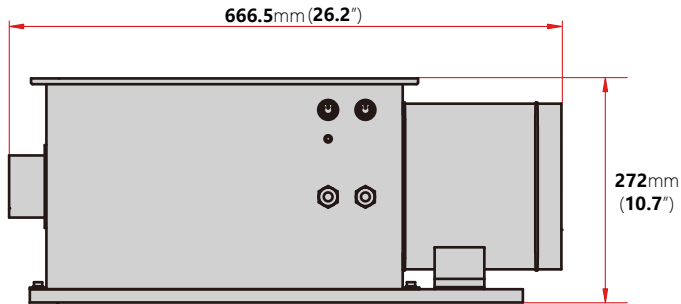




## UV-C Light for ***ELEVATOR***



### DIMENSIONS





**Shinetoo Lighting USA LLC**

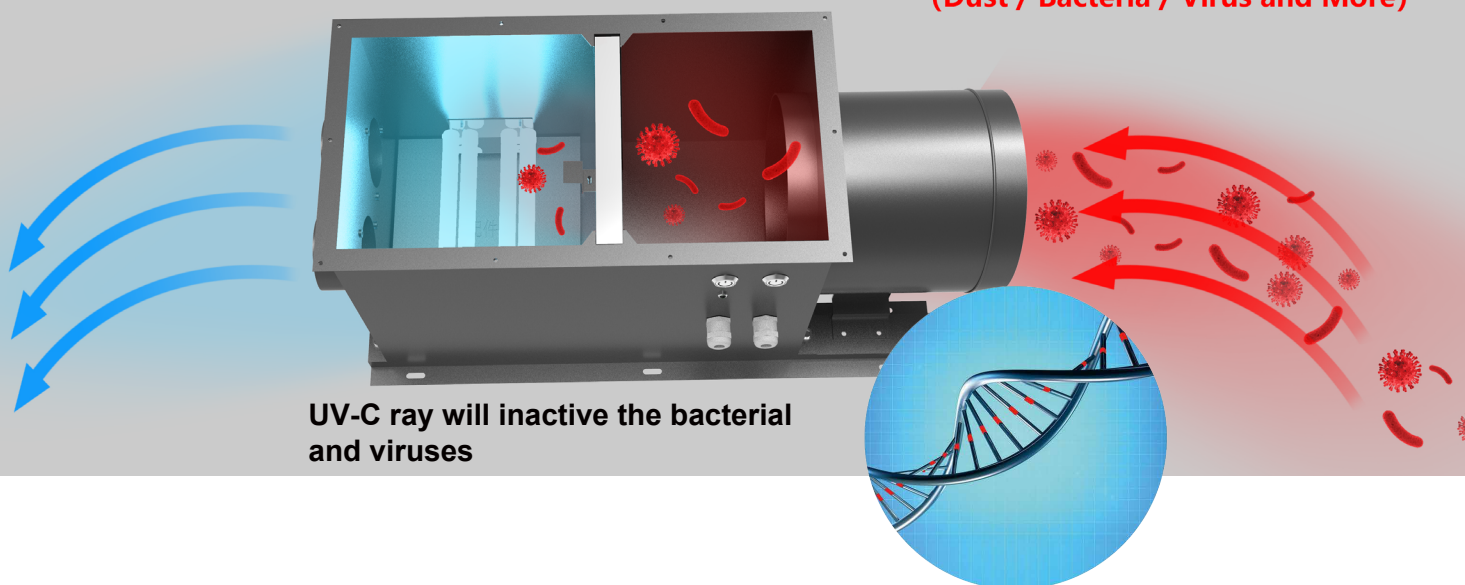
Add: 708-710 Armstrong Dr, Buffalo Grove, IL 60089  
Ph: (224)567-8070 M:(847)899-1678  
Email:Sales@shine2sportslighting.com

**Jiaxing Shinetoo Lighting Co.,Ltd**

Add:No.258, Xingchang Road, Xincheng Town, Xiuzhou District, Jiaxing, Zhejiang, China 314015  
Tel : +86-573-8350-0001 Fax : +86-573-8350-0005  
Mobile : +86-138-0961-6725/+86-138-1878-3129  
Email:Sales@stedlights.com

Clean Air out

Filter-Dirty Air in  
(Dust / Bacteria / Virus and More)



UV-C ray will inactivate the bacterial and viruses

**UV-C LIGHT FOR ELEVATOR**

**Lamp Technology:** UV-C

**Lamp Qty:** 2

**Dimensions:** 666.5mm-W x 294mm-D x 272mm-H  
26.2"-W x 11.6"-D x 10.7"-H

**Weight:** 25KG / 55LBS

**Voltage:** 110-120V AC, 50/60Hz  
220-240V AC, 50/60Hz

**Total Watts:** 145W

**Single-lamp Watts:** 18W

**UV Output :** 110 @ 254nm  $\mu\text{W}/\text{cm}^2$  (@1m)

**Single-lamp UV Output:** 6W

**UV Lamp :** 1 year warranty (8,000hours)

**UV Wavelength:** UV-C, 200nm - 280nm (254 nm peak)

**Lamp Type:** UVC Lamp

**Lamp Base:** -

**Replacement Lamp:** -

**Power Factor:** >0.9

**Delay:** 0 Seconds

**Maximum Treatment Time:** 24 Hours

**Ambient Operating Temp:** 26.7°C / 80°F

**Materials:** 304 Stainless Steel

**Mounting:** Bracket

**Noise level:** 30-70dBa

**Maximum Speed:** 900CFM

**EPA Est. No.** 97623-CHN-1

**Ratings/Features**

Short-wave Light

**FAN**



**Fan:** <49.7DB

**Dimension:**  
120mm-W x 120mm-D x 38mm-H  
4.7"-W x 4.7"-D x 1.5"-H

**Rated Voltage:** 12V

**Rated Speed:** 2400rpm±10%

**Life Expectance:** 50000hrs at 40 C

**UVC LAMP**



**Cap-Base:** 2G11

**Power (Rated) (Nom):** 36W

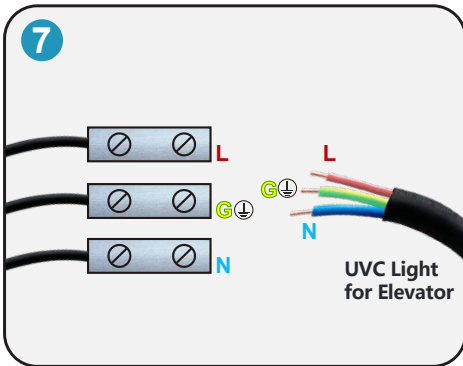
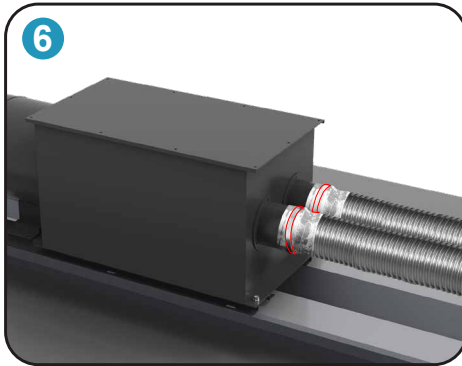
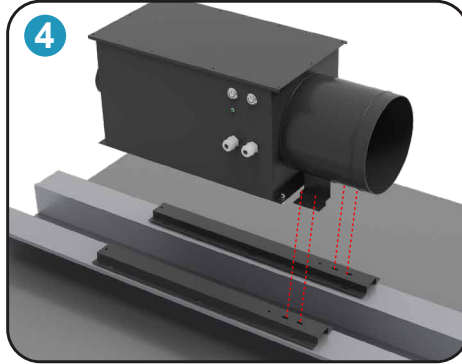
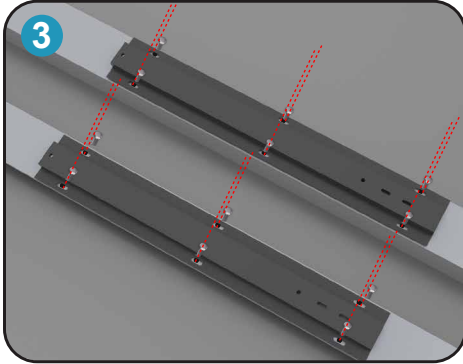
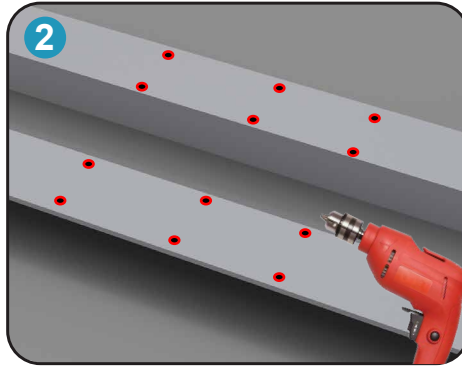
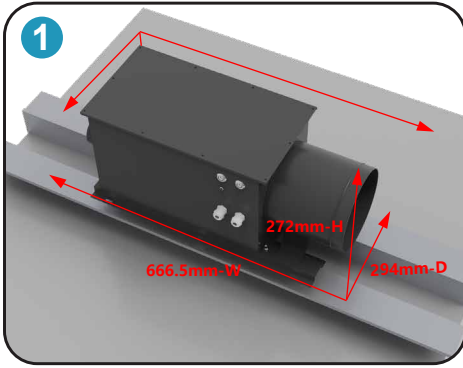
**UV-C Radiation:** 11W

**Shineto Lighting USA LLC**

Add: 708-710 Armstrong Dr, Buffalo Grove, IL 60089  
Ph: (224)567-8070 M:(847)899-1678  
Email:Sales@shine2sportlighting.com

**Jiaxing Shineto Lighting Co.,Ltd**

Add:No.258, Xingchang Road, Xincheng Town, Xiuzhou District, Jiaxing, Zhejiang, China 314015  
Tel: +86-573-8350-0001 Fax: +86-573-8350-0005  
Mobile: +86-138-0961-6725/+86-138-1878-3129  
Email:Sales@stledlights.com



## Product Details

**Step 1**  
Confirm the installation location, secure the safe area.

**Step 2**  
Punch holes where the lights need to be installed.

**Step 3**  
Install accessories in the punched area.

**Step 4**  
Install the light on the accessory.

**Step 5**  
Connect the ventilation duct to the air inlet of the lamp, wrap it in tin foil, and fix it with a hoop.

**Step 6**  
The ventilation duct is connected to the two air outlets of the lamp, and then wrapped in tin foil, and finally fixed with a hoop.

**Step 7**  
Connect the terminals from the luminaire to IP66 rated terminal block, as follows:

Connect yellow / green earth wire to the earth terminal (G)

Connect the brown live wire (L) to the live terminal

Connect the blue neutral (N) to the neutral terminal

**PACKING DETAILS**



**Shineto Lighting USA LLC**

Add: 708-710 Armstrong Dr, Buffalo Grove, IL 60089  
Ph: (224)567-8070 M:(847)899-1678  
Email:Sales@shine2sportslighting.com

**Jiaxing Shinetoo Lighting Co.,Ltd**

Add:No.258, Xingchang Road, Xincheng Town, Xiuzhou District, Jiaxing, Zhejiang, China 314015  
Tel: +86-573-8350-0001 Fax: +86-573-8350-0005  
Mobile: +86-138-0961-6725/+86-138-1878-3129  
Email:Sales@stledlights.com