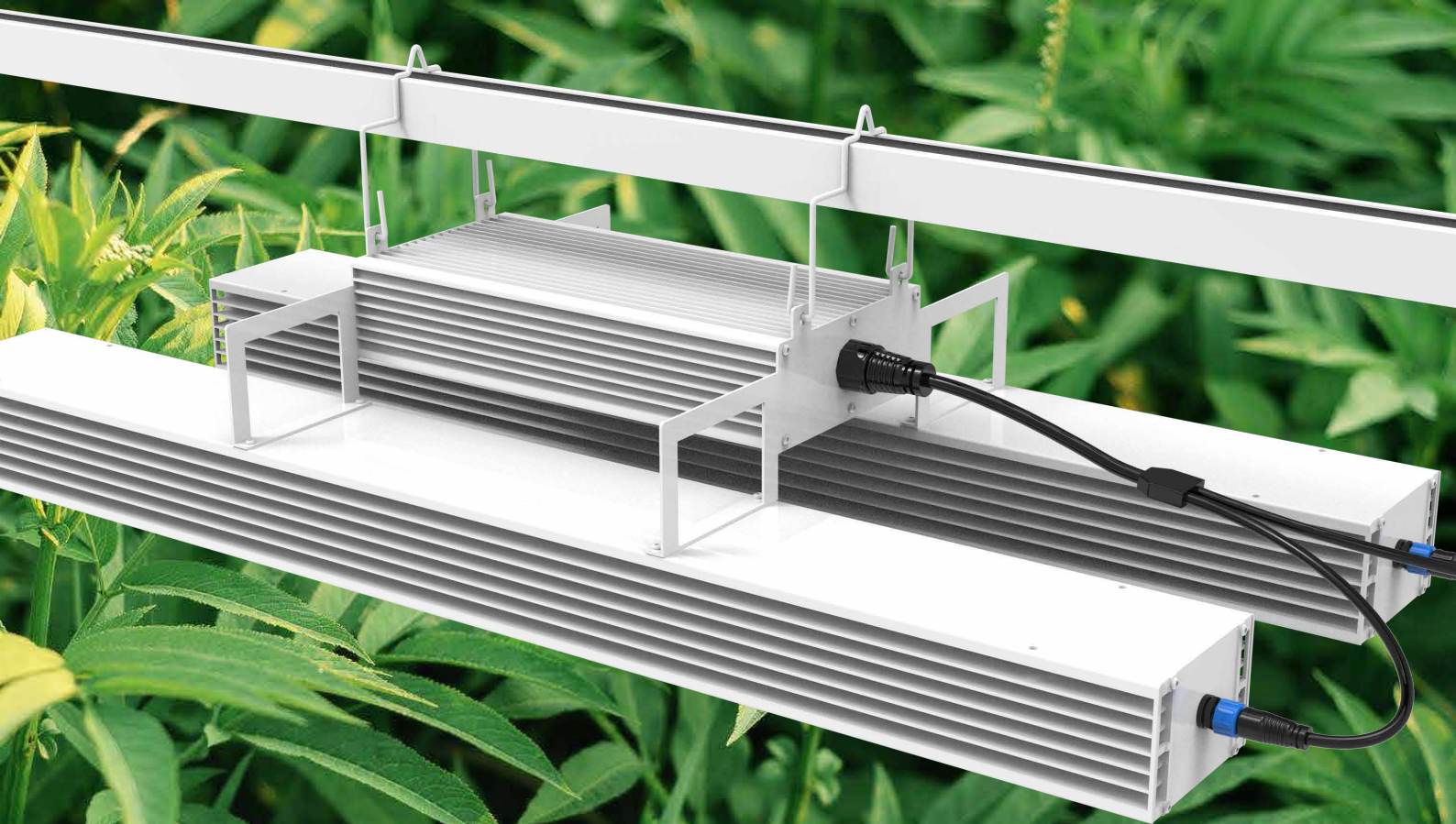


shinetoos[®]

The Future Shines Brighter Together



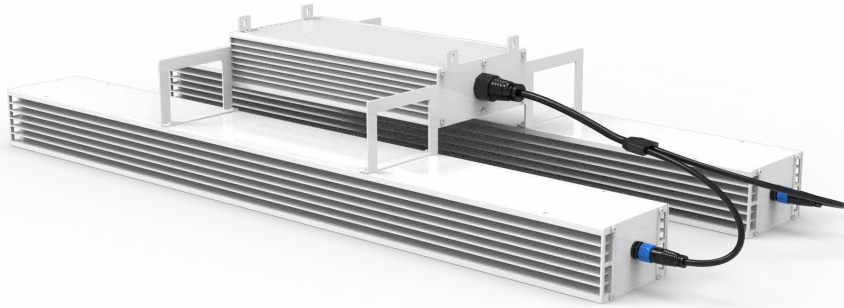
LED Top Light Instructions

Lighting up with Better Technology



LED TOP LIGHT

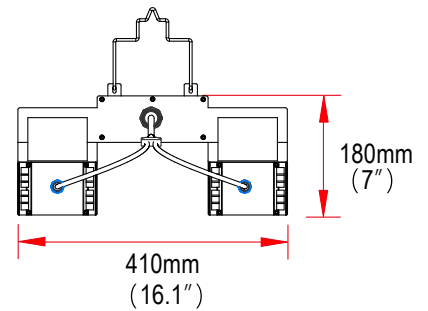
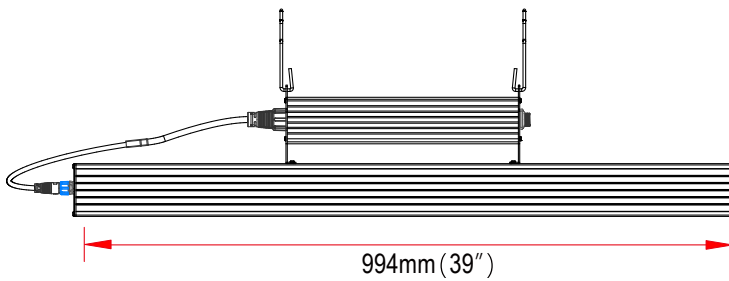
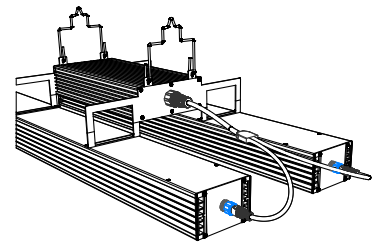
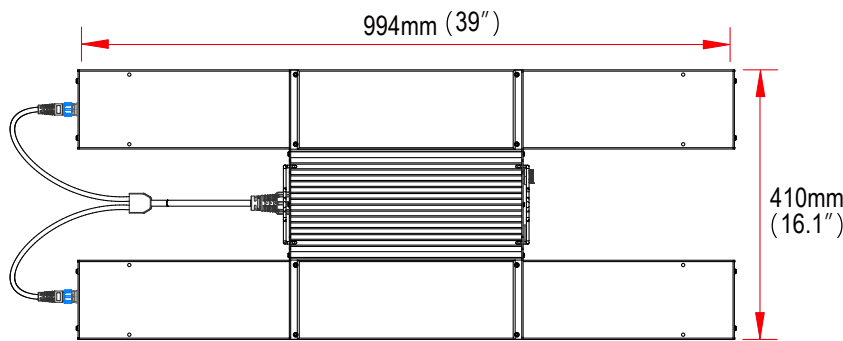
600W / 700W / 800W



Why LED grow lights? LEDs having various light spectrums, which can speed up your plant's vegetative processes and boost yields, while saving you over 50% on your energy bill. LEDs can deliver more PAR per watt than traditional grow lighting, while having much longer lifetime. Currently, LEDs use in planting becomes widespread thanks to the presence of LED lamps in every color and wavelength and their low power consumptions.



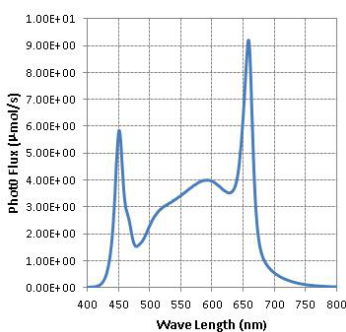
PRODUCT DRAWINGS



ORDERING INFORMATION

ST-LGL		Top Brand LED	MEANWELL			
SERIES	WATTS	LED LIGHT SOURCE	DRIVER	CCT	CRI	INPUT POWER
ST-GL640-LV-C	640	Top Brand LED	Inventronics	4K-4000k	90	100-277V

PHOTOMETRICS



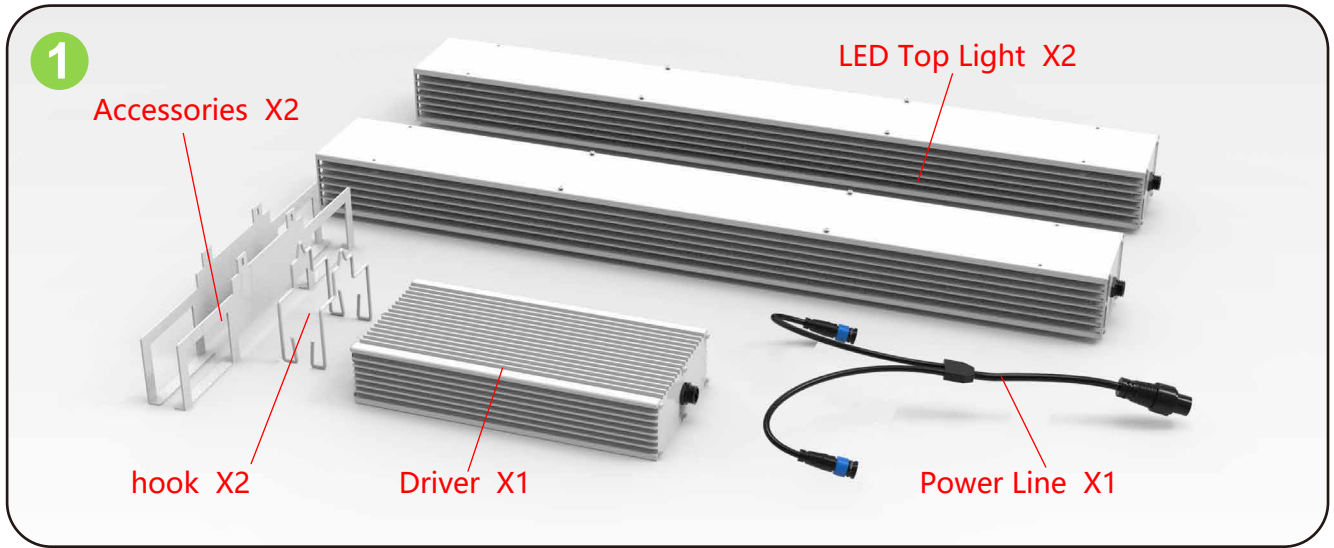
SPECIFICATIONS

- Beam Angle | 120°
- Efficacy | 2.65 µmol/W
- PPF | 1,700 µmol/s
- IP RATING | IP 20 / IP 65
- LIFE TIME | 50,000 hours
- OPERATING TEMPERATURE | -40°C to 35°C

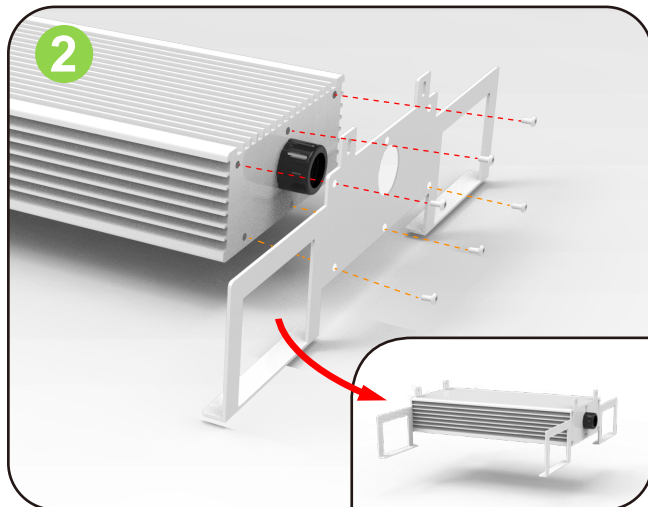
Other Details

- Fixture Material | Aluminum
- Mounting | Standard with Hook (Stainless Chain included), U-Bracket customized by order
- Color | Standard with White, Other colors can be customized after confirmed RAL number
- Warranty | 5 years

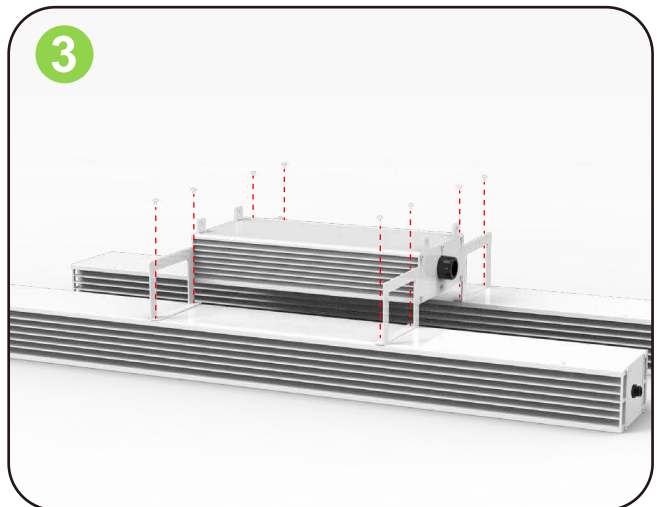
RECESSED MOUNTING INSTRUCTIONS



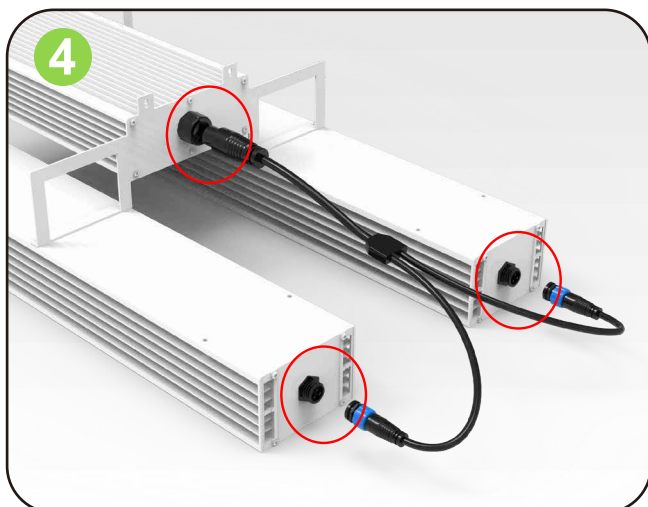
Step 1 Open the package and check that everything is complete.



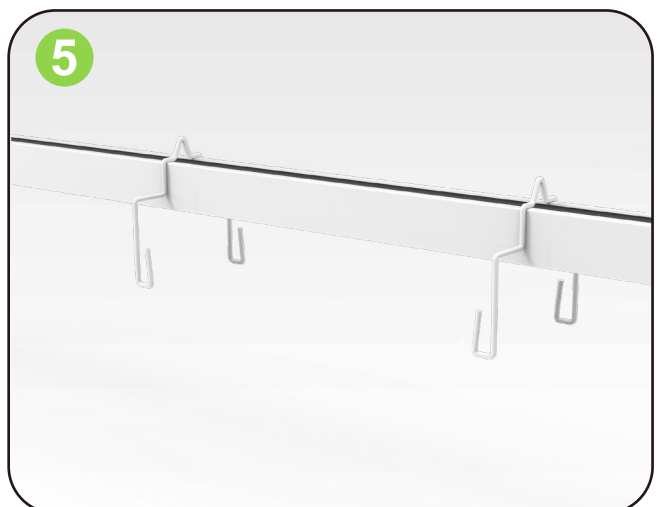
Step 2 Bolt both ends of the power supply box to the fittings.



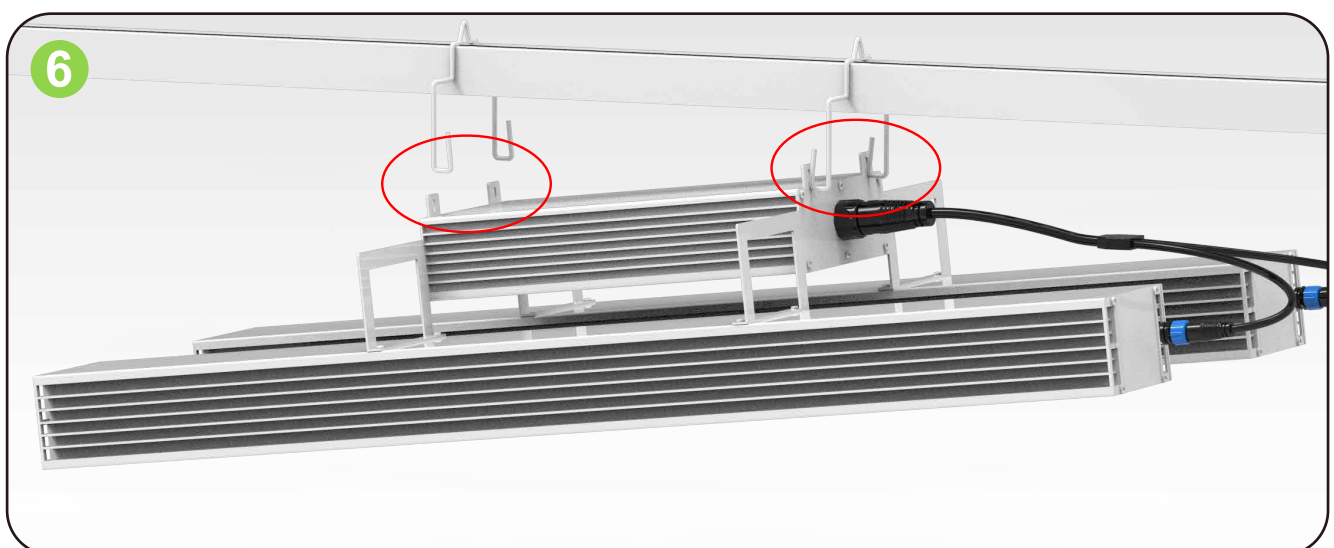
Step 3 Bolted the power supply box to the two lamp bodies.



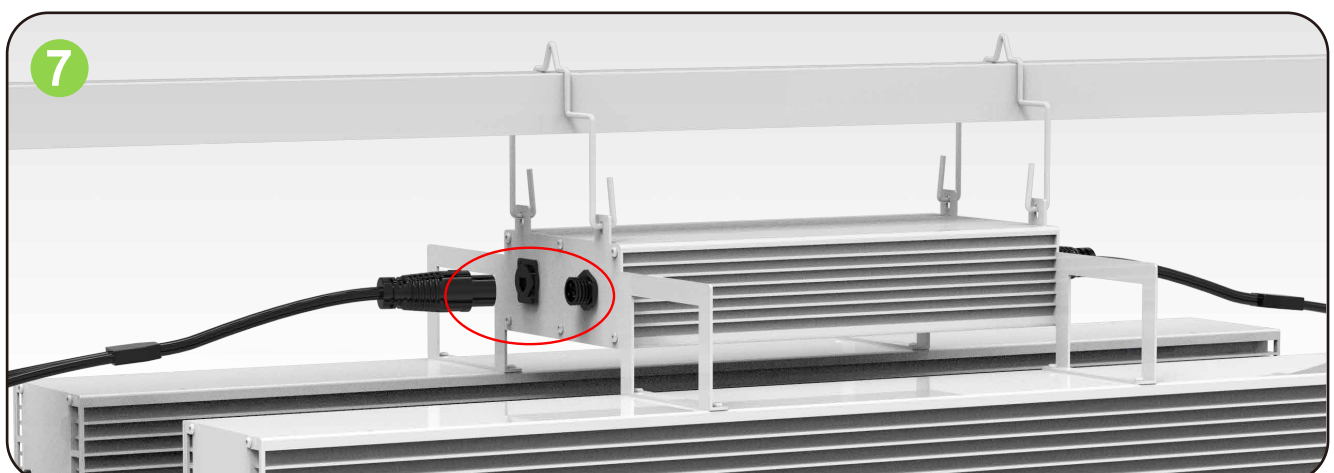
Step 4 Connected power line.



Step 5 Hang the hook on the pole.



Step 6 Hang the LED Top Light on the hook.



Step 7 Put through power supply.

