

# shinetoos<sup>®</sup>

The Future Shines Brighter Together



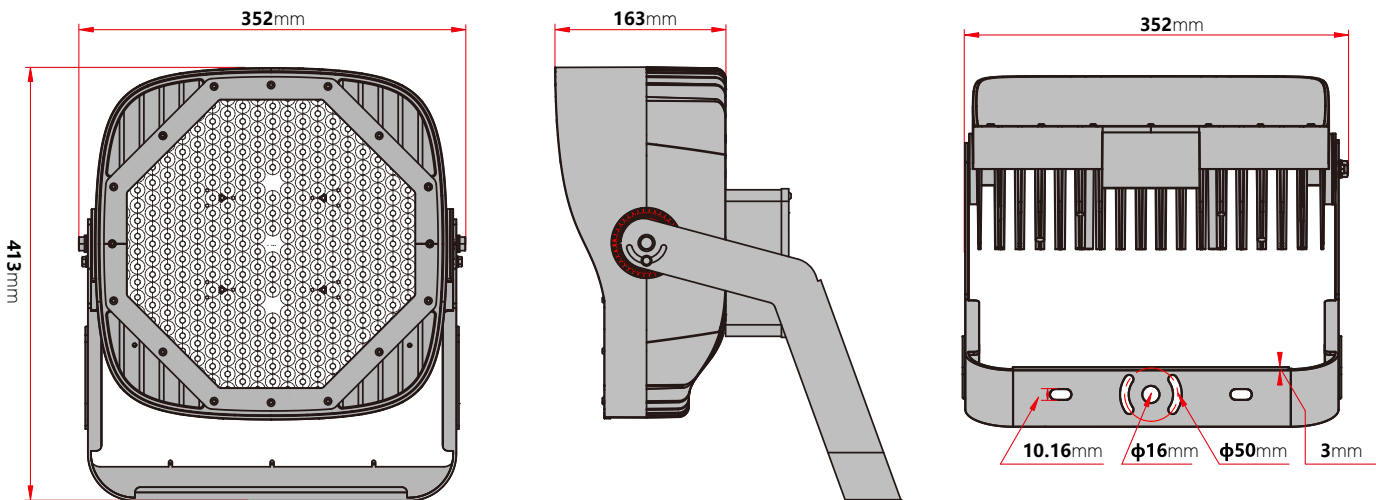
## G4 LED STADIUM LIGHTING

300W, 400W, 500W, 600W

### FEATURES

- Very low windage area (EPA)
- Only 352mm in diameter can easily replace HID / MH / HPS fixtures on existing poles, wiring and mounting arms
- One PCB board design, better glare control with our quality Lens
- Light weight design ensures less force on poles
- Unique hollow design for excellent heat dissipation

### DIMENSION & WEIGHT



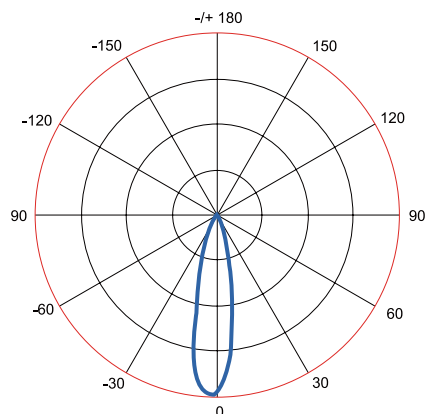
**FIXTURE WEIGHT : 9.75 kg (Remote Drivers) / 13.85 kg (With Drivers)**

- Standard thickness for the U-Bracket is 3mm, other thickness need to be customized.

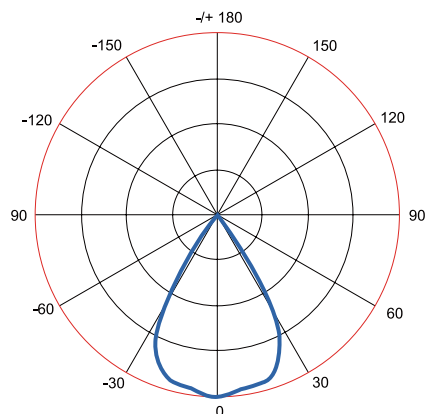
Jiaxing Shinetoo Lighting Co.,Ltd.

Add: No.258, Xingchang Road, Xincheng Town, Xiuzhou District, Jiaxing, Zhejiang, China 314015  
Tel: +86-573-8350-0001 Fax: +86-573-8350-0005  
Mobile: +86-138-0961-6725/+86-138-1878-3129  
Email: Sales@stedlights.com

## PHOTOMETRICS



25° (Nichia Chips)



60° (Nichia Chips)

## ORDERING INFORMATION

EXAMPLE PART #: ST-G4-RSL - 300 - NICHIA - MEANWELL - 3K-70-25° - 100/277V

SERIES	WATTS	LED LIGHT SOURCE	DRIVER	CCT	CRI	LENS	INPUT POWER
ST-G4-RSL	300	NICHIA	MEANWELL	3K-3000k	70	25°	100-277V
	400	OSRAM	INVENTRONICS	4K-4000k	80	60°	180-528V (Optional)
	500			5K-5000k	90		
	600			5.7K-5700k			
				6.5K-6500k			

## SPECIFICATIONS

Beam Angle | 25° / 60°

Lumen Output | 42,000LM / 56,000LM  
70,000LM / 84,000LM

OPERATING TEMPERATURE | -40°C to 50°C

IP RATING | Standard with IP 65, IP66 is optional

LIFE TIME | 50,000hours

## LISTINGS

ETL Listed

DLC Listed

## Other Details

Fixture Material | Aluminum

Mounting | Standard with U-Bracket, Slip Fitter and other adpters/arms can be customized

Color | Standard with Grey, Other colors can be customzied after confirmed RAL number

Warranty | Standard with 5 years, 7 / 10 Years can be customzied

EPA | 0.045 m<sup>2</sup> — 0.094 m<sup>2</sup>

## Jiaxing Shinetoo Lighting Co.,Ltd.

Add.No.258, Xingchang Road, Xincheng Town, Xiuzhou District, Jiaxing, Zhejiang, China 314015  
Tel : +86-573-8330-0001 Fax : +86-573-8330-0005  
Mobile : +86-138-0961-6725/+86-138-1878-3129  
Email:Sales@stledlights.com

**SPARE PARTS** (Order accessories as separate part number from your Fixture Model No.)

---



VGS: Visor Glare Shield



Remote Drivers

Distance from Luminaire May Not Exceed 100' .  
Standard Remote Driver Distance from Luminaire is 6'  
unless Otherwise Specified.



Adapters

NOTE: We can customize different  
types adapters and arms.

**ADJUSTABLE MOUNT**

---



15° — 165°



Adjustable loop mounting bracket rotates 15° — 165° for convenient optical control and easy replacement of existing fixture installations.